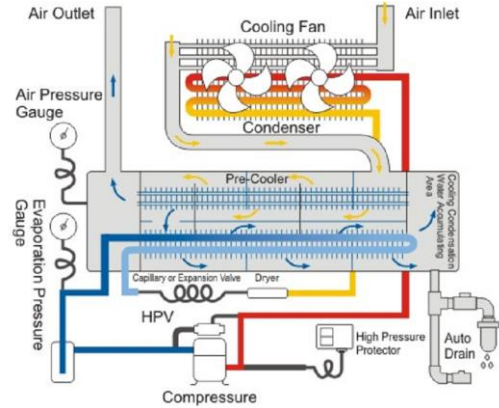


**HA Series Refrigeration Compressed Air Dryer**



**Technical Design**

- New type of HA series refrigerated compressed air dryer accept 80°C air temperature input. The big strong cooling fan unit for fin type pre-cooler and heat exchanger could reduce the inlet air temperature from 80°C to room temperature than into the heat exchanger to do heat exchange operating. It could get the pressure dew point 2°C at the best condition.
- With high quality refrigeration compressor, performance can be maintained
- Nanometer anticorrosive coating on the surface of air condenser makes surface dust cleaning easier and extends its service life.

➤ All series dryers have passed latest CE safety certification with multiple overload protection devices configured.

 **GERMAN CERT**  
Quality Management System Certificate

(주)부마씨이  
경상남도 김해시 주촌면 서부로1637번길 291

제원서부마씨이는 위 회사의 심사규격과 인증범위가 아래의 품질경영시스템 요구사항을 모두 충족하고 있음을 검증하고 인증 등록을 승인하였습니다.

심사규격  
**ISO 9001:2008**

인증범위  
기초모듈, 지질장비, 환경장비(원심분리기, 판로커터), 에어압트래서의 설계, 개발, 제조 및 부가서비스

인증번호 : KorQ-095362  
인증서 유효기간 : 2012년 05월 11일 - 2015년 05월 10일  
최초 인증일 : 2009년 05월 12일  
인증 갱신일 : 2012년 05월 11일  
연장 인증일 : 2015년 05월 10일

  
Scheme Manager



**GERMAN CERT**  
QUALITY MANAGEMENT SYSTEM  
ISO 9001 REGISTERED

100, Jungseon Bldg, Yeosu-daehang, Yeosu-gu, Jeon-sung-do, Korea  
This certificate is a part property of GERMAN CERT and therefore shall be returned to upon its request. (001-6)



**HA Series Refrigeration Compressed Air Dryer**

**Technical Specifications**

Model	Flow Rate		Inlet Air Tem.. °C	Ambient temp °C	Pressure Dew Point °C	Working Pressure Kg/cm <sup>2</sup>	Refrigerant	Comp. Motor Hp	Power Supply V	Air Conn. In	Dimensions (mm)			Next Weight Kg
	m <sup>3</sup> /min	SCFM									Height	Width	Depth	
HAD-05HA	0.6	21	MAX. 80°C	38°C	2-10°C (7Kg/cm <sup>2</sup> )	7 Kg/cm <sup>2</sup> Max. 13 Kg/cm <sup>2</sup>	R134a	1/5	220V/1PH/ 50HZ	1/2"	460	470	500	27
HAD-10HA	1.3	46						3/4"		600	350	640	45	
HAD-15HA	1.8	64						3/4"		650	350	770	50	
HAD-20HA	2.8	99						1"		760	400	820	70	
HAD-30HA	4.2	148						1-1/2"		750	400	920	95	
HAD-50HA	7	247					R407C	1-1/2"	2"	770	400	940	130	
HAD-75HA	10.6	375					R22	380V/3PHA /50HZ	2-1/2"	1200	700	1170	210	
HAD-100HA	15.5	512							3"	1200	700	1270	270	
HAD-150HA	21	742							3"F	1400	700	1470	400	
HAD-200HA	26	918							4"F	1500	700	1665	460	
HAD-250HA	31	1095							4"F	1500	700	1665	480	
HAD-300HA	38	1342							7.5	1600	1700	900	570	
HAD-400HA	49	1730							8	1600	2400	950	890	

➤ **Selection guide**

Dryers are rated at 80°C(HA,WW)/45°C(W) saturated and 7kgf/cm<sup>2</sup> inlet condition, 38°C ambient and an outlet pressure dew point of 2°C. To adjust dryer capacity for other conditions, use Table 1, 2, 3 and 4

➤ **Example :**

What is the capacity of a model 100 HA when the compressed air at the inlet to the dryer is at 10kgf/cm<sup>2</sup> and 40°C, the ambient temperature is 30°C and a 5°C dew point is desired?

➤ **Answer :**

1.45Nm<sup>3</sup>/Min x1.19(Tablet 4) x1.05(Table 1) x1.01(Table 3) x0.9(Tablet 2)=16.47 Nm<sup>3</sup>/min

**Table1:**

Correction Factors (Multipliers) for Inler Air Temperature

Inlet Air Tem	40	45	50	55	60	65	70	75	80
Multiplier(HA)	1.05	1.04	1.03	1.02	1.01	1.00	0.83	0.68	0.60

**Table2:**

Correction Factors (Multipliers) for Dew Point Temperature

Dew point Tem	2	5	8	10
Multiplier	0.8	0.9	0.95	1

**Table3:**

Correction Factors (Multipliers) for Ambient Temperature

Inlet Pressure	10	15	20	25	30	35	40	50	55
Multiplier	1.05	1.04	1.03	1.02	1.01	1.00	0.96	0.84	0.58

**Table4:**

Correction Factors (Multipliers) for Inlet Air Pressure

Inlet Pressure	2	3	4	5	6	7	8	9	10
Multiplier	0.42	0.61	0.73	0.82	0.93	1.00	1.08	1.15	1.19